

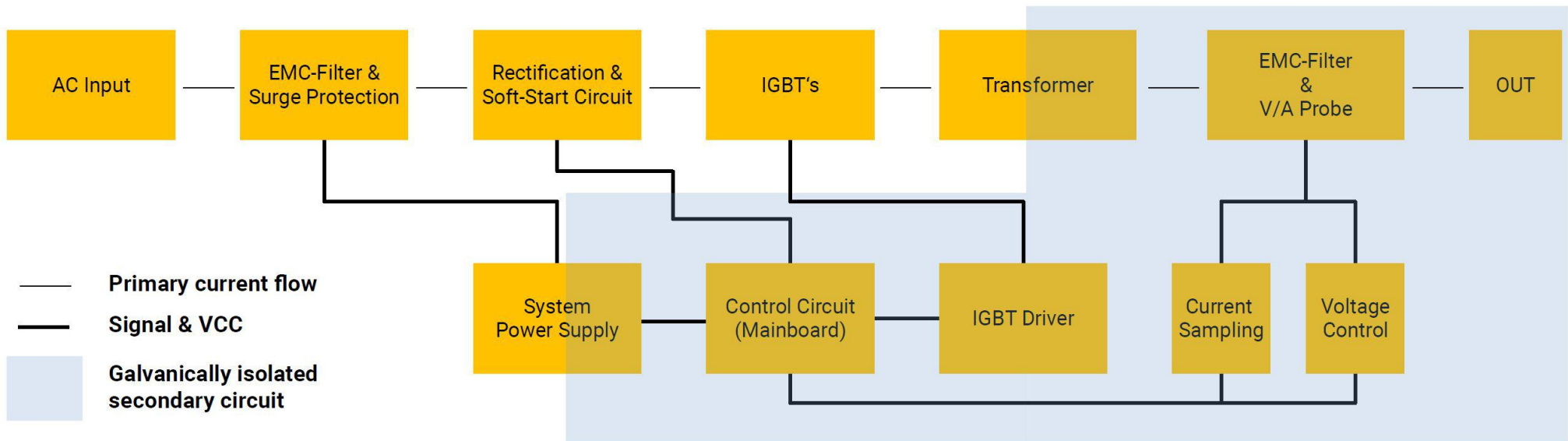


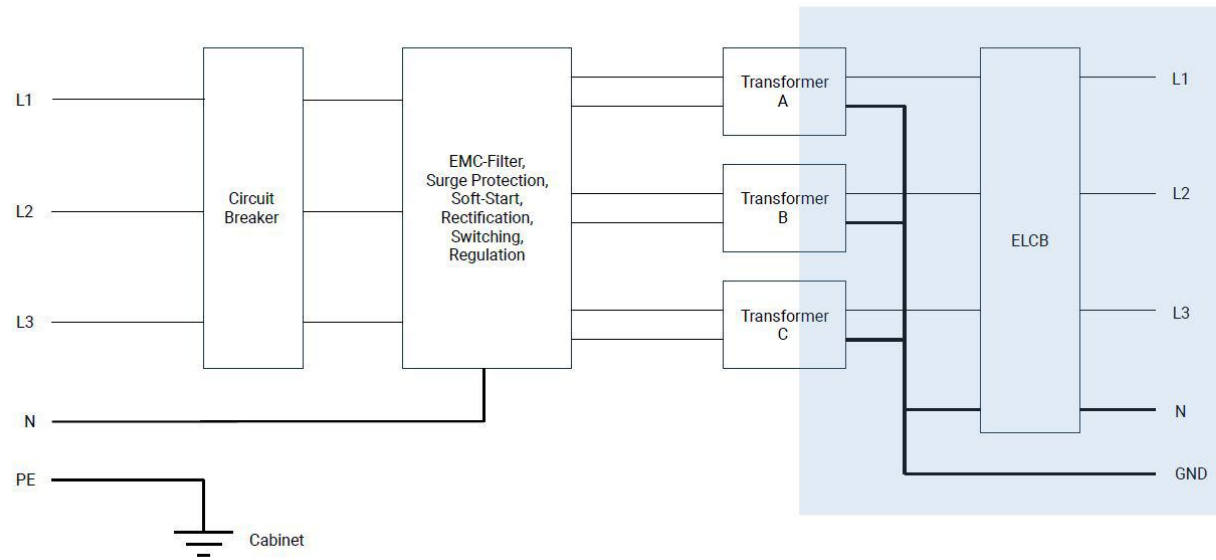
General Function and Wiring Diagram for DF-C Series Power Supplies

DSC-Electronics Germany • Georgstraße 36 • 53111 Bonn

General Function and Wiring Diagram DF-C Series

Stand 28.03.2019

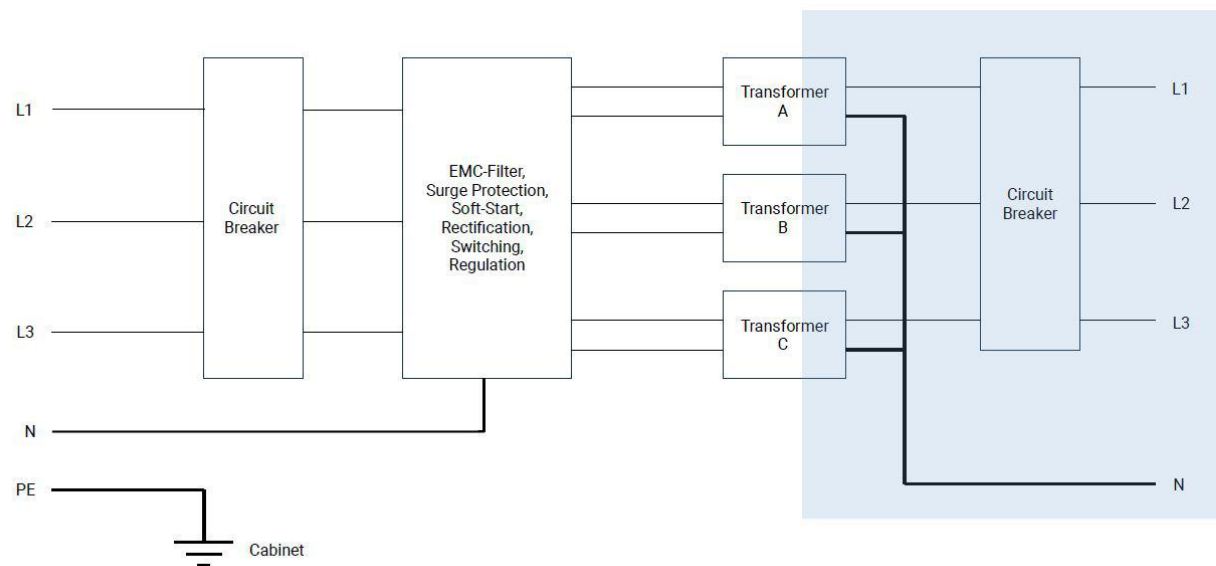




Option [N2]

Output has no potential to PE. Output connection GND triggers the ELCB if a leakage current measured and replaces the PE connection for loads.

By bridging the output N to input N the output can be tied to input PE potential.



Option [N1]

Output has no potential to PE.

By bridging the output N to input N the output can be tied to input PE potential.